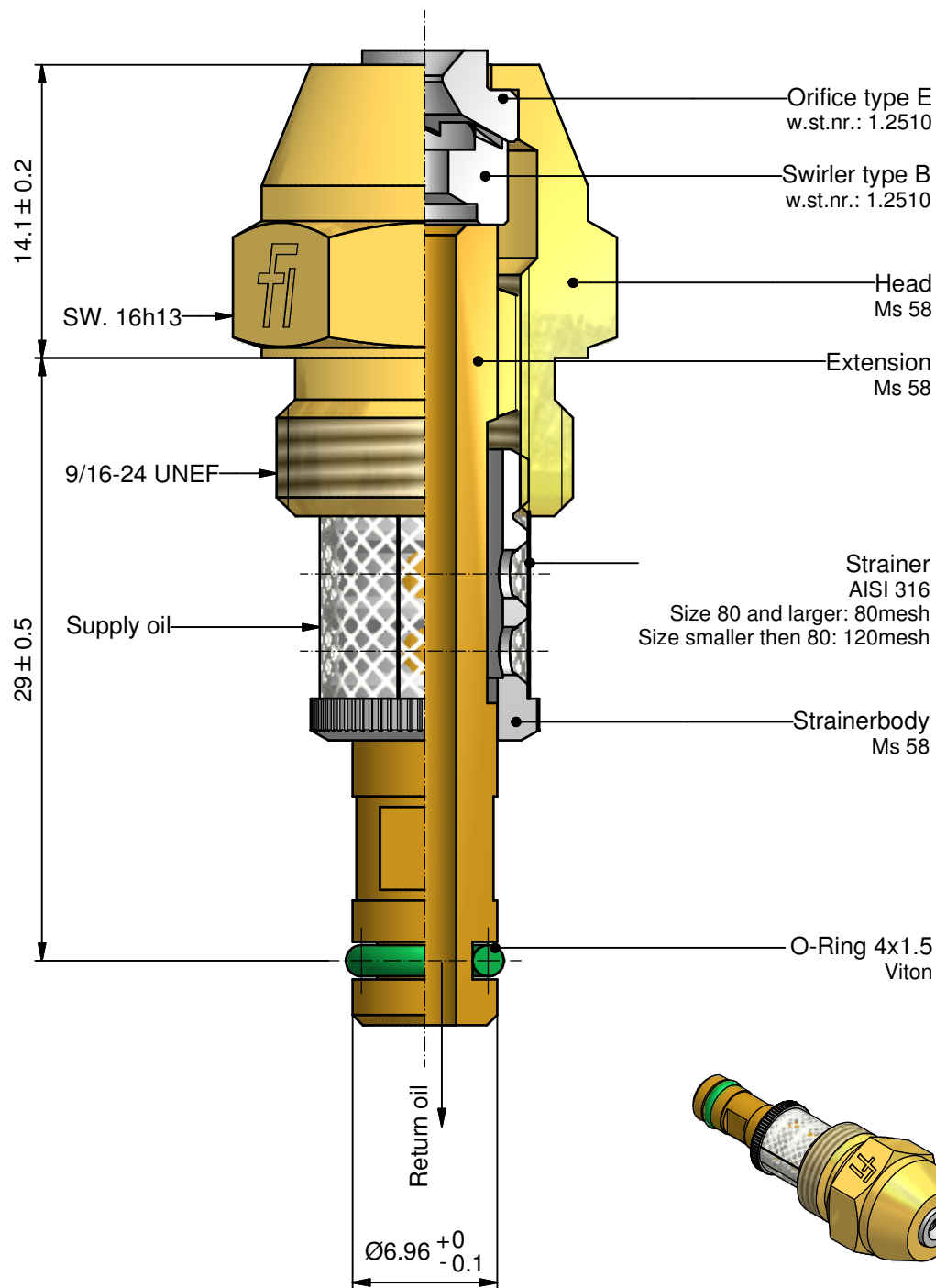




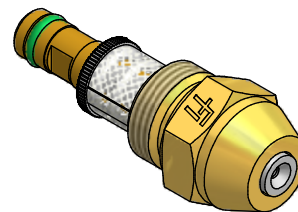
Atomizer 9  
KC2-"Size"-80°

09-J1SM-4G-E

04-11-09



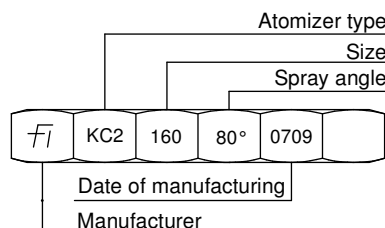
Size [kg/h]
8
10
13
16
20
25
30
35
40
45
50
60
70
80
90
100
115
130
145
160
180
200
225
250



**ORDERING: please specify:**

- Atomizer type
- Size
- Spray angle
- Quantity

**Marking on Hexagon:**



**GENERAL DATA:**

Test oil viscosity: 5 cSt.  
 Supply pressure: 20 bar.  
 Max. output with closed return line.  
 Turn down 1:3 at return pressure 3 bar.  
 Max. output: up to 25 0% +8%  
                   up to 100 0% +6%  
                   over 100 0% +5%  
 Spray angle: Max. output 78° +5°  
                   Turned down 90° +7°