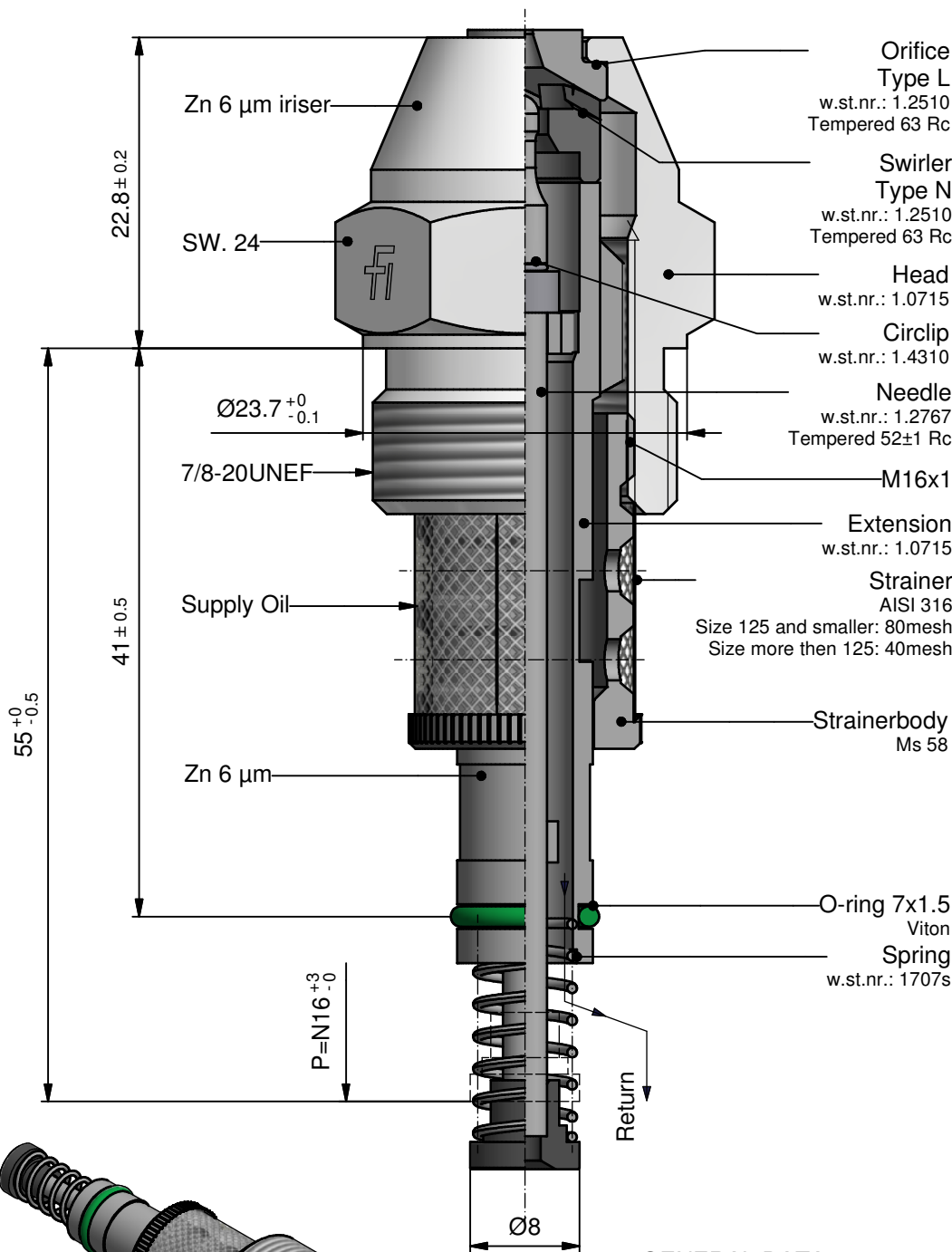




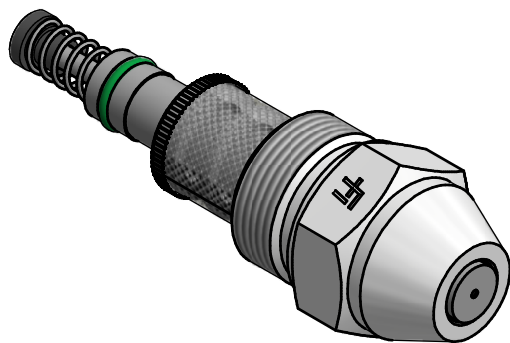
Atomizer 12
W1 - "Size" - 50°

12-DSGM-4G-E

19-09-18



Size [kg/h]
20
25
32
40
50
60
70
80
90
100
115
130
145
160
180
200
225
250
275
300
330
360
400
450
500
550
600
650
700
750
800



GENERAL DATA:

Test oil viscosity: 5 cSt.
 Supply pressure: 20 Bar.
 Max. output with closed return line.
 Turn down 1:4 up to 60 at 10 bar return pressure, over 60 at 7 bar return pressure.
 Max. output up to 80 0% +10%
 up to 180 0% +7%
 over 180 0% +5%
 Spray angle: Max. output 50° +5°
 Turned down 80° +10°

ORDERING: please specify:

- Atomizer type
- Size
- Spray angle
- Quantity

