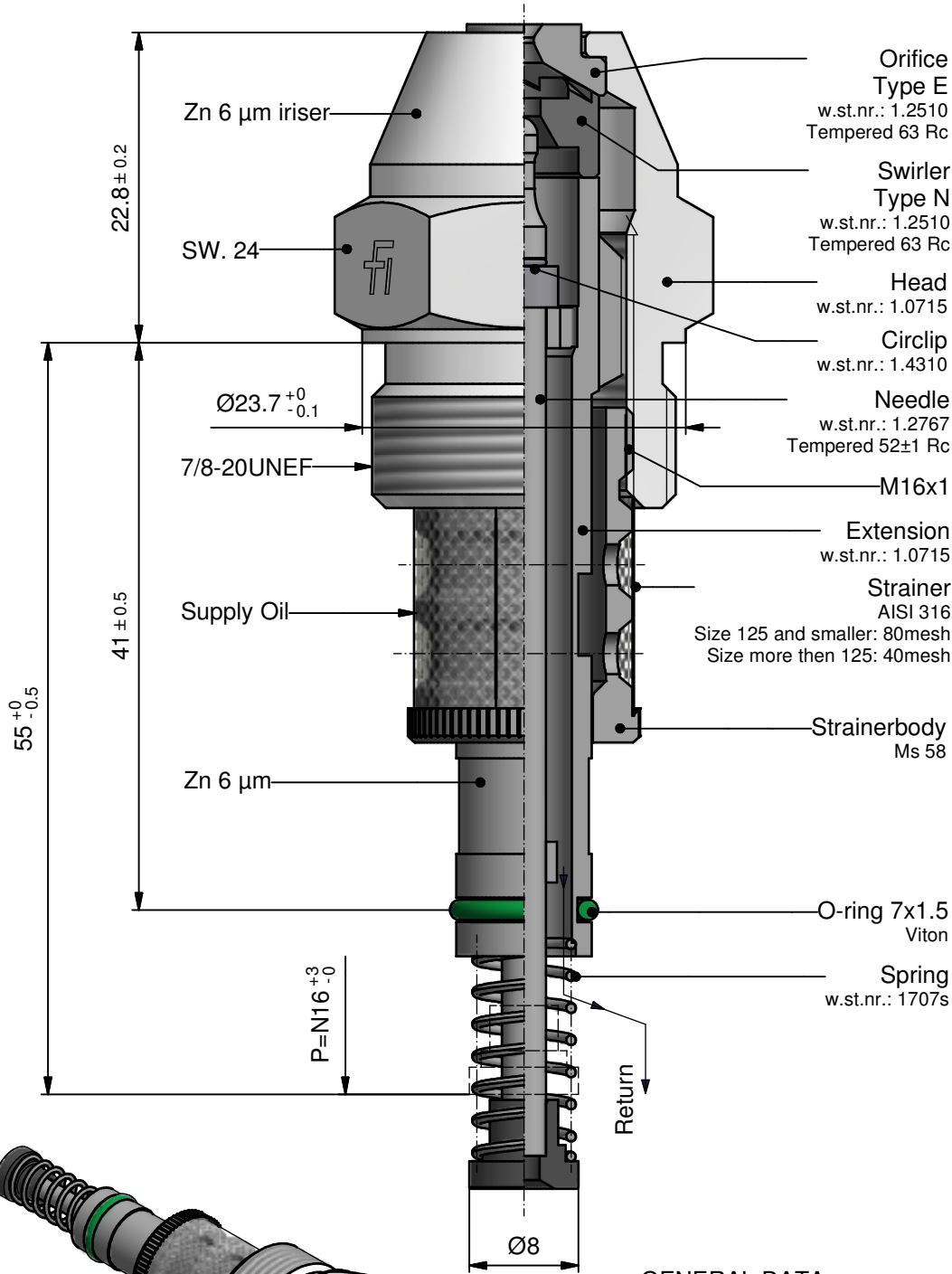




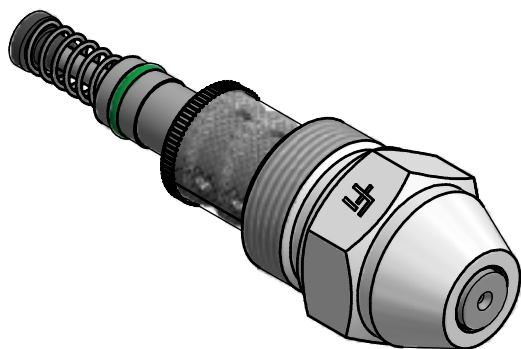
Atomizer 12
W2 - "Size" - 30°

12-E1A1-4G-E

19-09-18



Size	[kg/h]
20	
25	
32	
40	
50	
60	
70	
80	
90	
100	
115	
130	
145	
160	
180	
200	
225	
250	
275	
300	
330	
360	
400	
450	



GENERAL DATA:

- Test oil viscosity: 5 cSt.
- Supply pressure: 25 Bar.
- Max. output with closed return line.
- Turn down 1:4 at 15 bar return pressure.
- Max. output up to 80 -2% +8%
- up to 180 -2% +5%
- over 180 -2% +3%
- Spray angle: Max. output 30° +5°
- Turned down 55° +8°

ORDERING: please specify:

- Atomizer type
- Size
- Spray angle
- Quantity

Marking on Hexagon:

