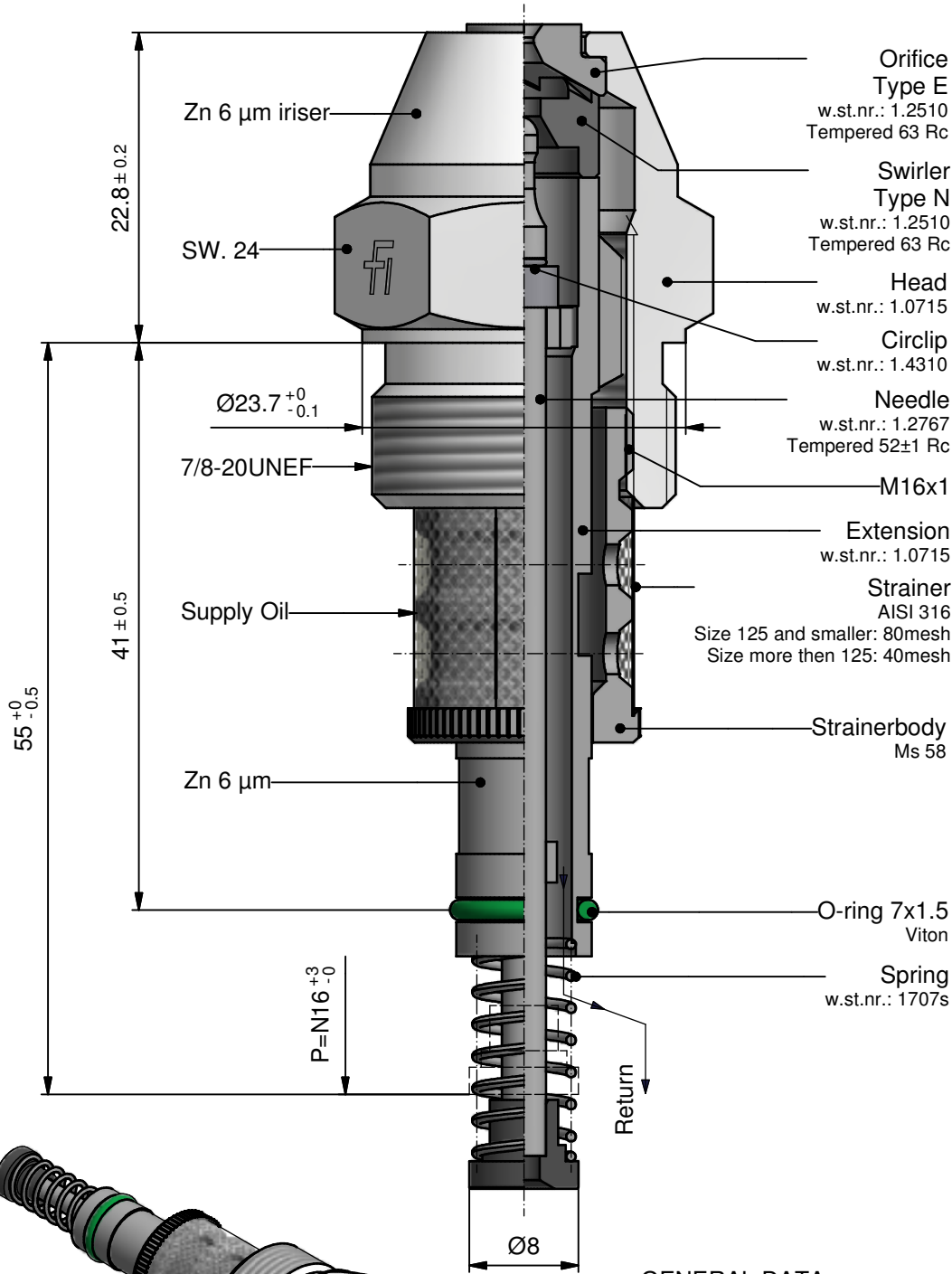




Atomizer 12
W2 - "Size" - 35°

12-E1BM-4G-E

19-09-18



Size	[kg/h]
20	
25	
32	
40	
50	
60	
70	
80	
90	
100	
115	
130	
145	
160	
180	
200	
225	
250	
275	
300	
330	
360	
400	
450	
500	
550	
600	
650	

GENERAL DATA:

Test oil viscosity: 5 cSt.

Supply pressure: 25 Bar.

Max. output with closed return line.

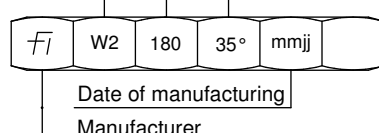
Turn down 1:4 at 13.5 bar return pressure.

Max. output up to 80 -2% +8%
 up to 180 -2% +5%
 over 180 -2% +3%

Spray angle: Max. output 35° +5°
 Turned down 54° +8°

Marking on Hexagon:

Atomizer type
Size
Spray angle



ORDERING: please specify:

- Atomizer type
- Size
- Spray angle
- Quantity