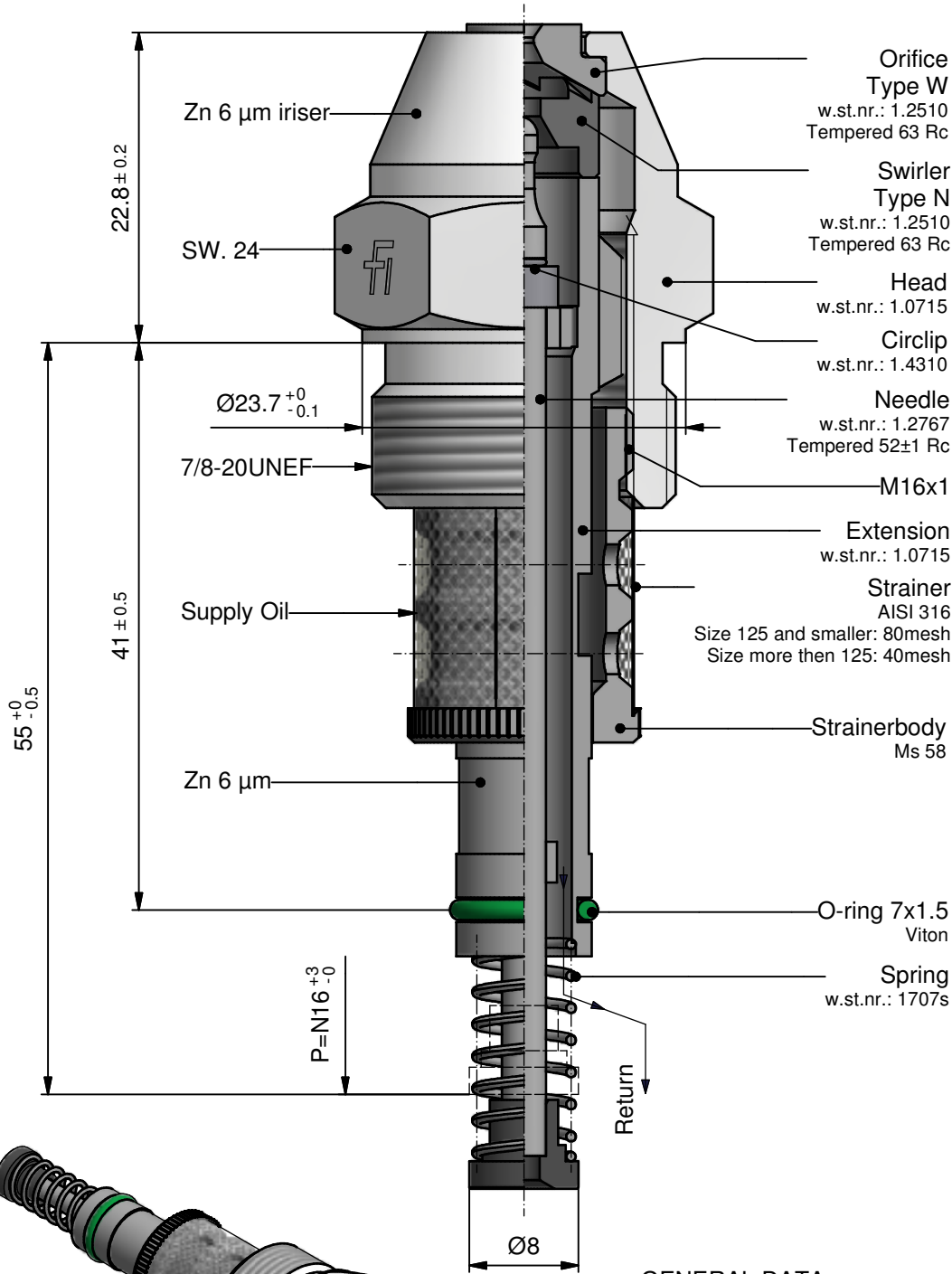




Atomizer 12
W2 - "Size" - 60°

12-E1L1-4G-E

19-09-18



Size	Size [kg/h]
20	20
25	25
32	32
40	40
50	50
60	60
70	70
80	80
90	90
100	100
115	115
130	130
145	145
160	160
180	180
200	200
225	225
250	250
275	275
300	300
330	330
360	360
400	400
450	450
500	500
550	550
600	600
650	650
700	700
750	750
800	800
850	850

GENERAL DATA:

Test oil viscosity: 5 cSt.

Supply pressure: 25 Bar.

Max. output with closed return line.

Turn down 1:4 up to 100 at 10 bar return pressure, over 100 at 8 bar return pressure.

Max. output	up to 80	0% +10%
	up to 180	0% +7%
	over 180	0% +5%

Spray angle: Max. output 60° +5°
Turned down 78° +10°

ORDERING: please specify:

- Atomizer type
- Size
- Spray angle
- Quantity

Marking on Hexagon:

