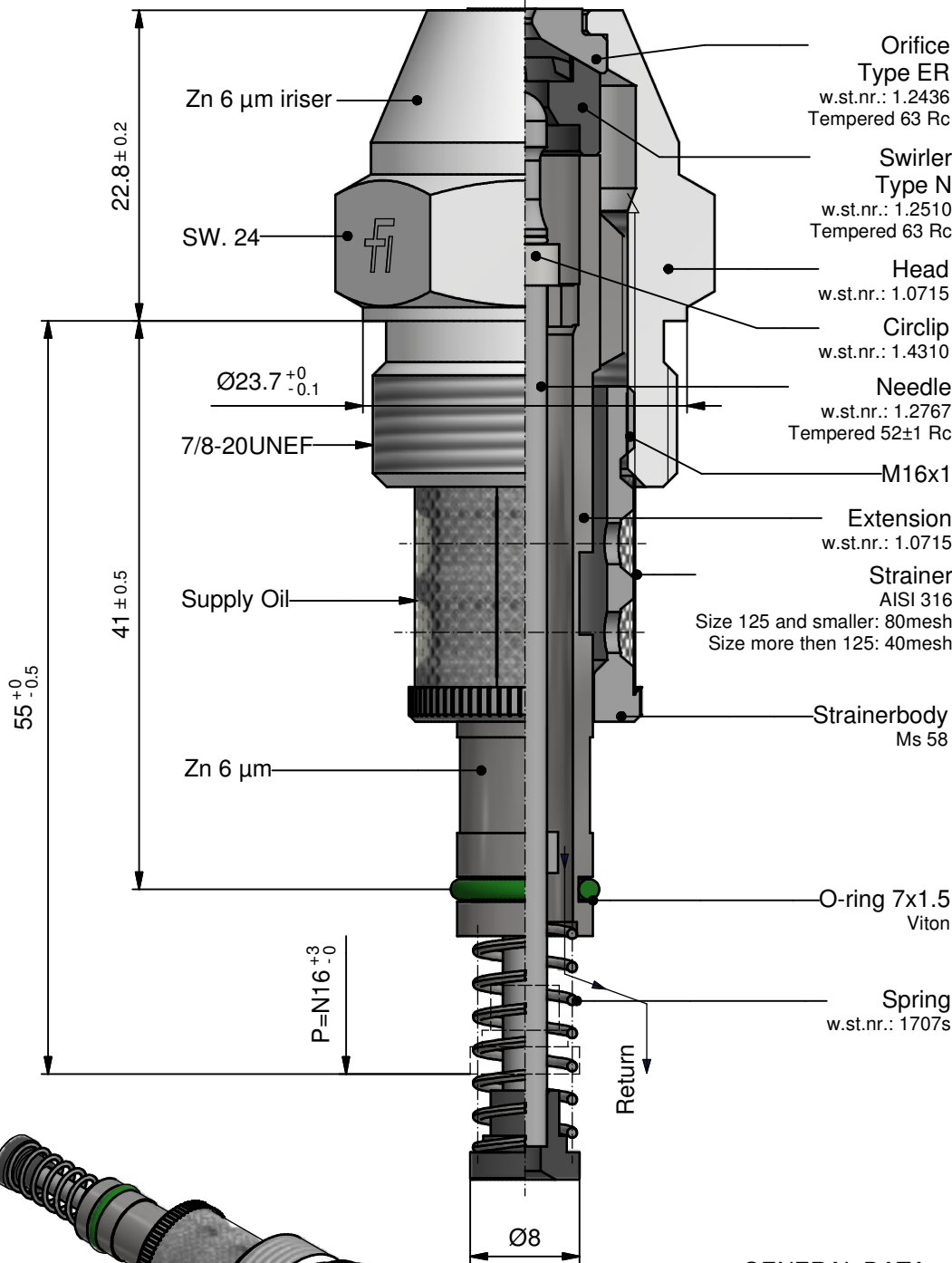




Atomizer 12
WR2 - "Size" - 30°

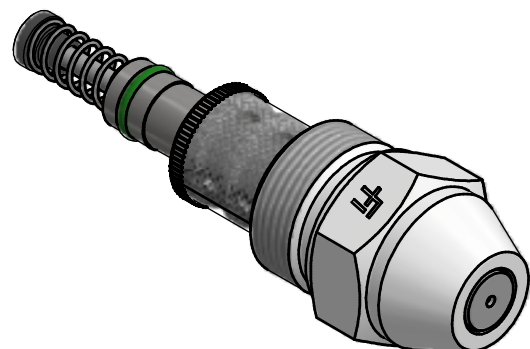
12-E6A1-4G-E

16-10-18



| Size | [kg/h] |
|------|--------|
| 20 | |
| 25 | |
| 32 | |
| 40 | |
| 50 | |
| 60 | |
| 70 | |
| 80 | |
| 90 | |
| 100 | |
| 115 | |
| 130 | |
| 145 | |
| 160 | |
| 180 | |
| 200 | |
| 225 | |
| 250 | |
| 275 | |
| 300 | |
| 330 | |
| 360 | |
| 400 | |
| 450 | |

- Orifice
Type ER
w.st.nr.: 1.2436
Tempered 63 Rc
- Swirler
Type N
w.st.nr.: 1.2510
Tempered 63 Rc
- Head
w.st.nr.: 1.0715
- Circlip
w.st.nr.: 1.4310
- Needle
w.st.nr.: 1.2767
Tempered 52±1 Rc
- M16x1
- Extension
w.st.nr.: 1.0715
- Strainer
AISI 316
Size 125 and smaller: 80mesh
Size more than 125: 40mesh
- Strainerbody
Ms 58
- O-ring 7x1.5
Viton
- Spring
w.st.nr.: 1707s

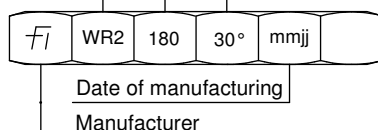


Marking on Hexagon:

Atomizer type
Size
Spray angle

ORDERING: please specify:

- Atomizer type
- Size
- Spray angle
- Quantity



GENERAL DATA:

Test oil viscosity: 5 cSt.

Supply pressure: 25 Bar.

Max. output with closed return line.

Turn down 1:4 at 15 bar return pressure.

| | | |
|-------------|-----------|---------|
| Max. output | up to 80 | -2% +8% |
| | up to 180 | -2% +5% |
| | over 180 | -2% +3% |

Spray angle: Max. output 30° +5°
Turned down 55° +10°