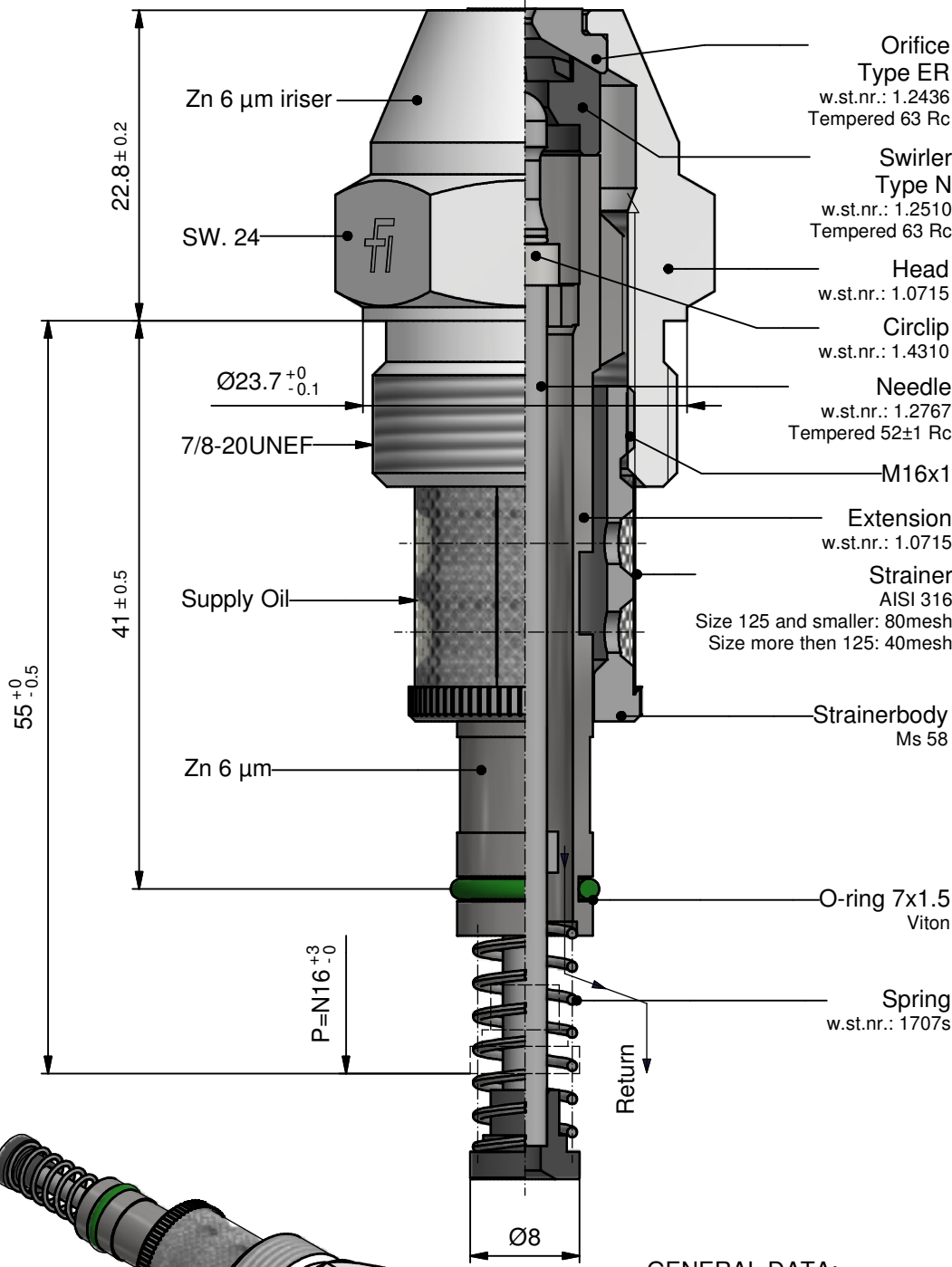




Atomizer 12
WR2 - "Size" - 45°

12-E6F1-4G-E

16-10-18



| Size | [kg/h] |
|------|--------|
| 20 | |
| 25 | |
| 32 | |
| 40 | |
| 50 | |
| 60 | |
| 70 | |
| 80 | |
| 90 | |
| 100 | |
| 115 | |
| 130 | |
| 145 | |
| 160 | |
| 180 | |
| 200 | |
| 225 | |
| 250 | |
| 275 | |
| 300 | |
| 330 | |
| 360 | |
| 400 | |
| 450 | |
| 500 | |
| 550 | |
| 600 | |
| 650 | |
| 700 | |
| 750 | |
| 800 | |

GENERAL DATA:

- Test oil viscosity: 5 cSt.
- Supply pressure: 25 Bar.
- Max. output with closed return line.
- Turn down 1:4 up to 100 at 10 bar return pressure, over 100 at 8 bar return pressure.
- Max. output

| | |
|-----------|---------|
| up to 80 | 0% +10% |
| up to 180 | 0% +7% |
| over 180 | 0% +5% |
- Spray angle: Max. output 45° +5°
Turned down 63° +10°

ORDERING: please specify:

- Atomizer type
- Size
- Spray angle
- Quantity

