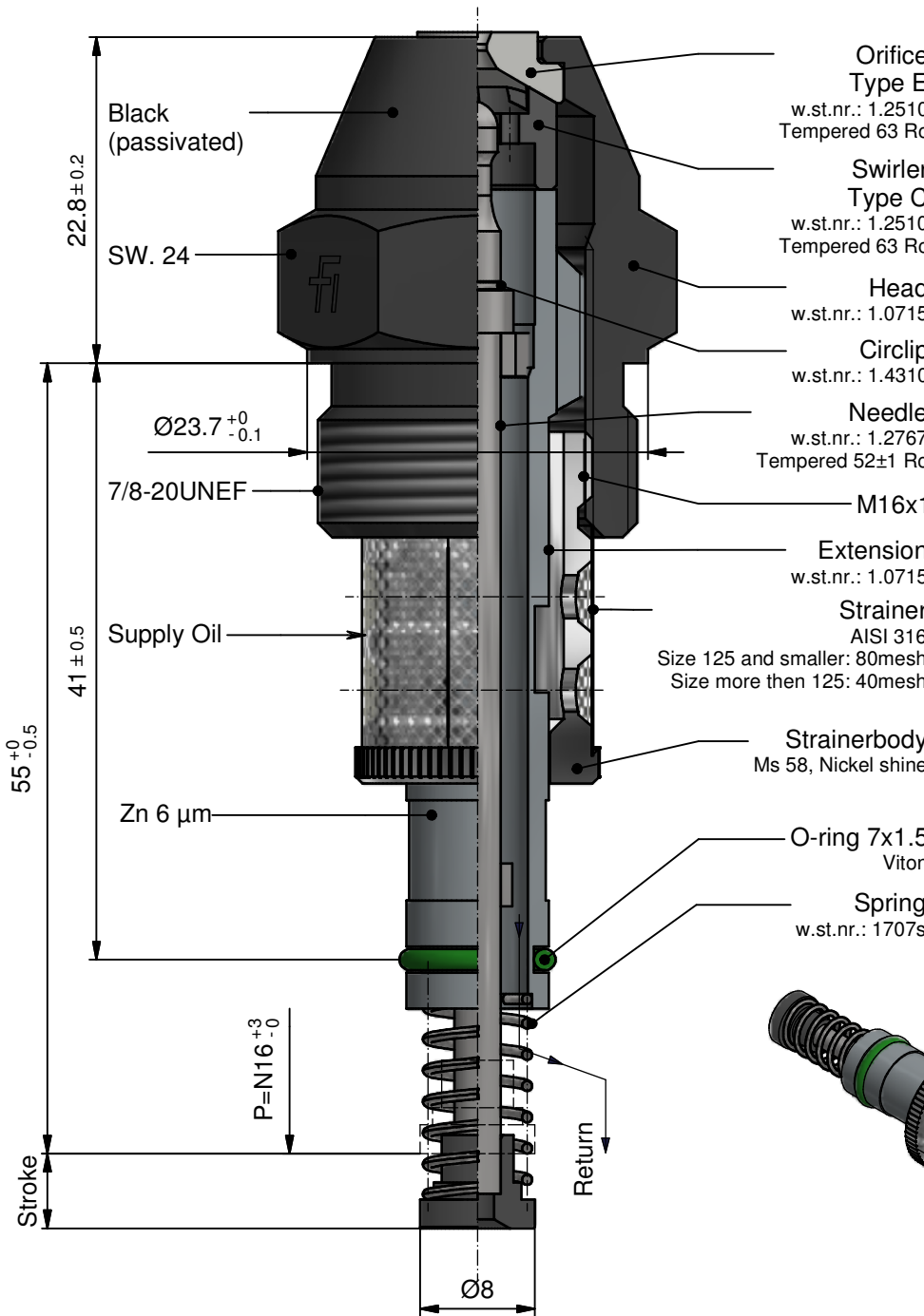




Atomizer 12  
21 - "Size" - 45°

12-ESF1-4G-E

26-05-20



- Orifice Type E  
w.st.nr.: 1.2510  
Tempered 63 Rc
- Swirler Type C  
w.st.nr.: 1.2510  
Tempered 63 Rc
- Head  
w.st.nr.: 1.0715
- Circlip  
w.st.nr.: 1.4310
- Needle  
w.st.nr.: 1.2767  
Tempered 52±1 Rc
- M16x1
- Extension  
w.st.nr.: 1.0715
- Strainer  
AISI 316  
Size 125 and smaller: 80mesh  
Size more than 125: 40mesh
- Strainerbody  
Ms 58, Nickel shine
- O-ring 7x1.5  
Viton
- Spring  
w.st.nr.: 1707s

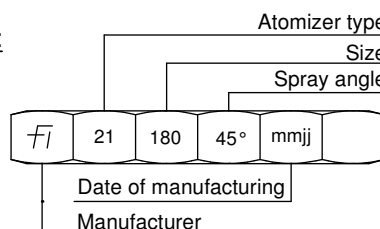
Size	Stroke
[kg/h]	[mm]
25	2.1
32	2.2
40	2.3
50	2.4
60	2.5
70	2.4
80	2.5
90	2.7
100	2.9
112	2.7
125	2.9
140	3.0
160	3.1
180	3.2
200	3.1
225	3.2
250	3.3
280	3.4
320	3.4
360	3.5
400	3.6



ORDERING: please specify:

- Atomizer type
- Size
- Spray angle
- Quantity

Marking on Hexagon:



GENERAL DATA:

Test oil viscosity: 5 cSt.

Supply pressure: 20 Bar.

Max. output with closed return line.

Turn down 1:4 at 7 bar return pressure.

Max. output 0% +10%

Spray angle: Max. output 45° +5°  
Turned down 60° +10°