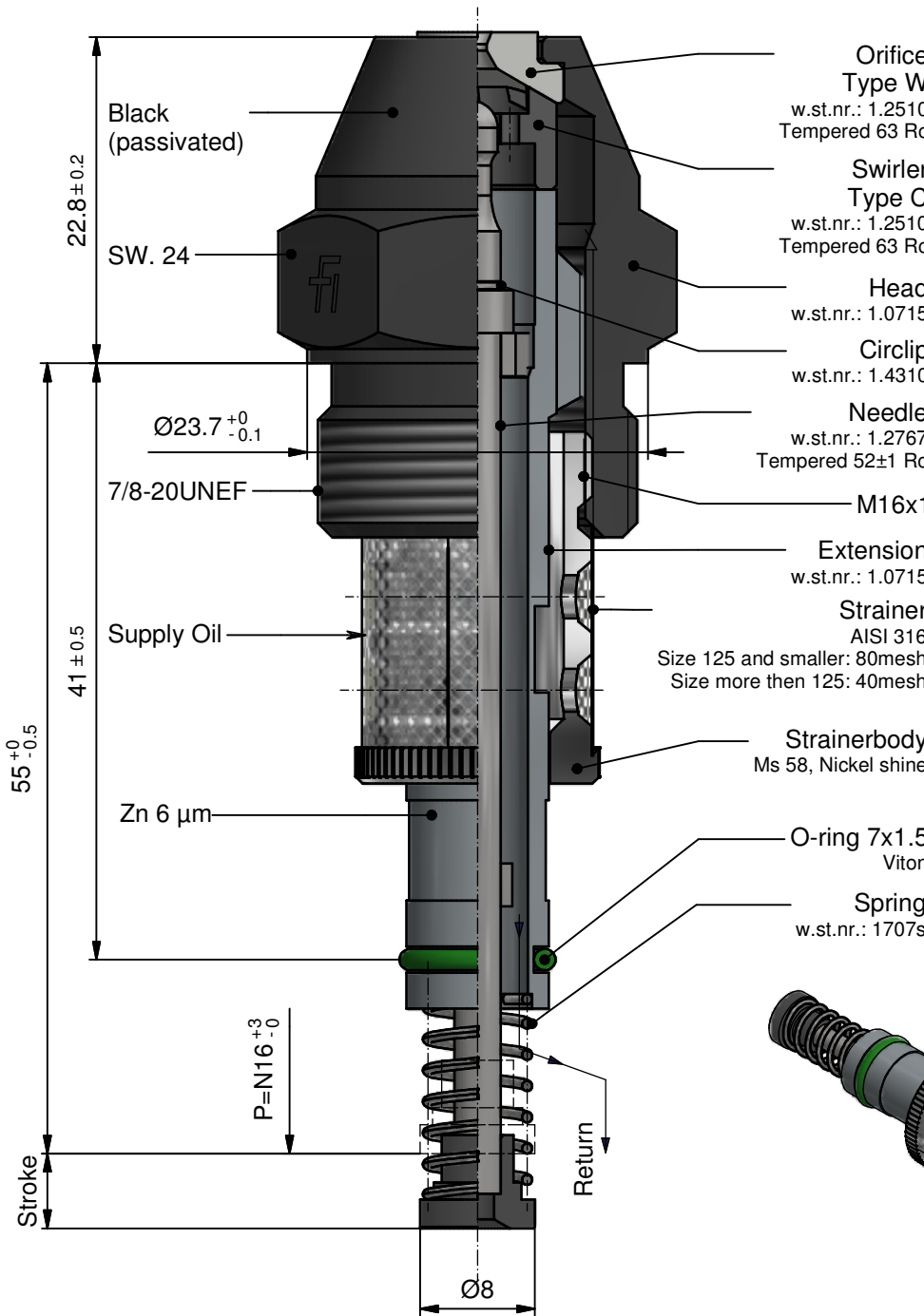




Atomizer 12
21 - "Size" - 60°

12-ESL1-4G-E

26-05-20



- Orifice Type W w.st.nr.: 1.2510 Tempered 63 Rc
- Swirler Type C w.st.nr.: 1.2510 Tempered 63 Rc
- Head w.st.nr.: 1.0715
- Circlip w.st.nr.: 1.4310
- Needle w.st.nr.: 1.2767 Tempered 52±1 Rc
- M16x1
- Extension w.st.nr.: 1.0715
- Strainer AISI 316 Size 125 and smaller: 80mesh Size more then 125: 40mesh
- Strainerbody Ms 58, Nickel shine
- O-ring 7x1.5 Viton
- Spring w.st.nr.: 1707s

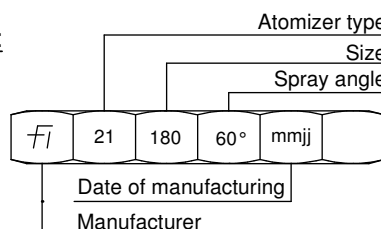
Size	Stroke
[kg/h]	[mm]
25	2.2
32	2.3
40	2.4
50	2.4
60	2.5
70	2.7
80	2.8
90	2.5
100	2.7
112	3.0
125	3.2
140	3.1
160	3.2
180	3.4
200	3.7
225	3.8
250	3.6
280	3.8
320	4.0
360	3.9
400	4.1



ORDERING: please specify:

- Atomizer type
- Size
- Spray angle
- Quantity

Marking on Hexagon:



GENERAL DATA:

- Test oil viscosity: 5 cSt.
- Supply pressure: 20 Bar.
- Max. output with closed return line.
- Turn down 1:4 at 7 bar return pressure.
- Max. output 0% +10%
- Spray angle: Max. output 60° +5°
Turned down 75° +10°