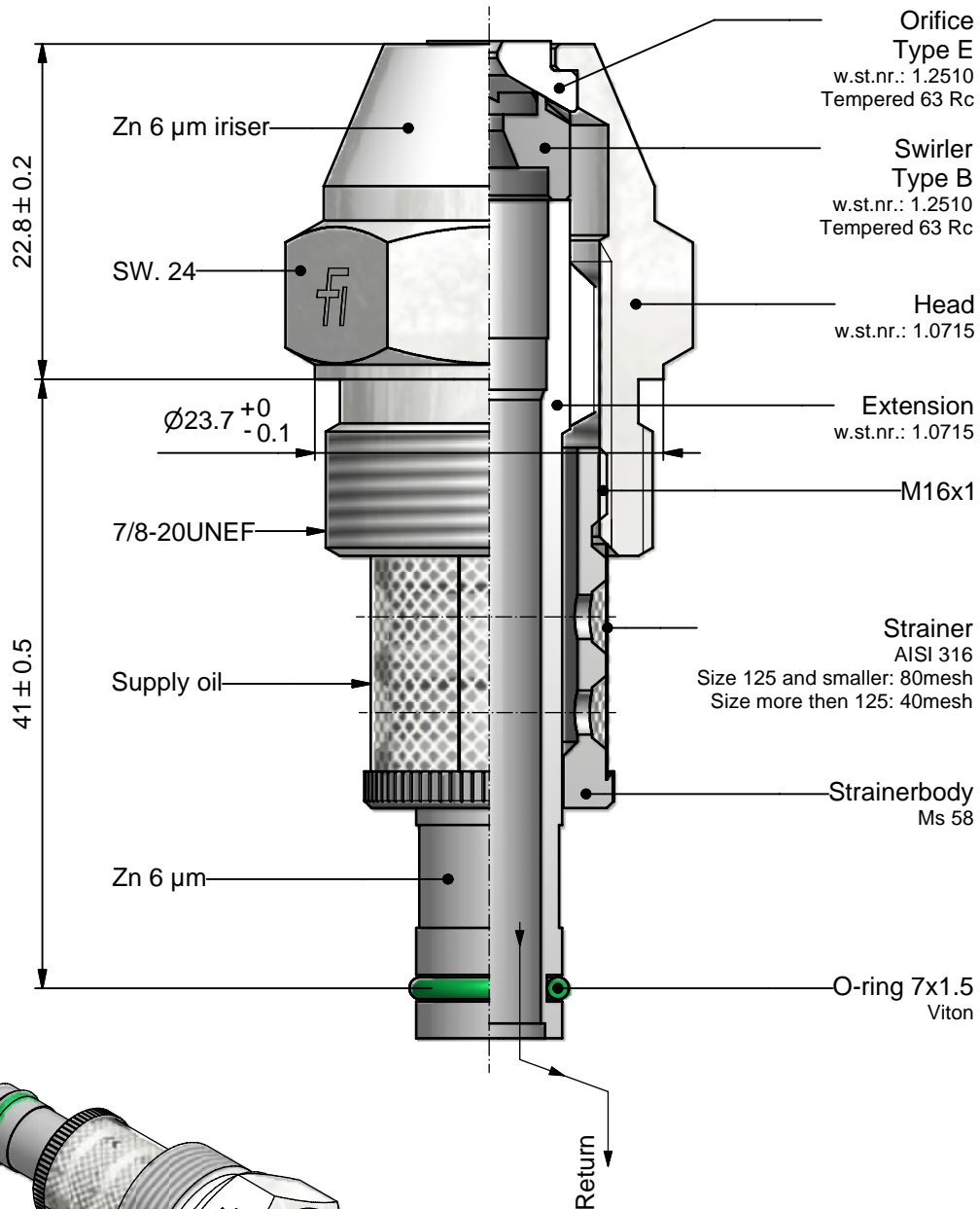




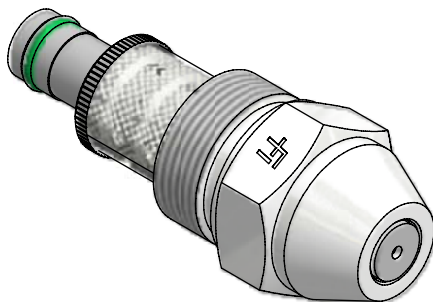
Atomizer 12
N2 - "size" - 50°

12-F6GM-4G-E

12-06-2007



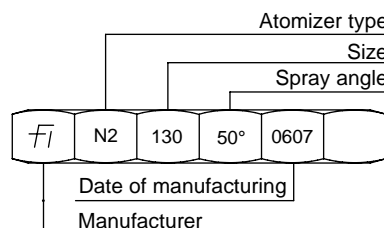
size [kg/h]
25
32
40
50
60
70
80
90
100
115
130
145
160
180
200
225
250
275
300
330
360
400
450
500
550
600
650
700
750
800
850
900



ORDERING: please specify:

- Atomizer type
- Size
- Spray angle
- Quantity

Marking on Hexagon:



GENERAL DATA:

Test oil viscosity: 5 cSt.
Supply pressure: 25 Bar.
Turn down 1:4 at 7 bar return pressure.
Max. output: up to 80 0% +10%
up to 180 0% +7%
over 180 0% +5%
Spray angle: Max. output 50° +5°
Turned down 70° +10°