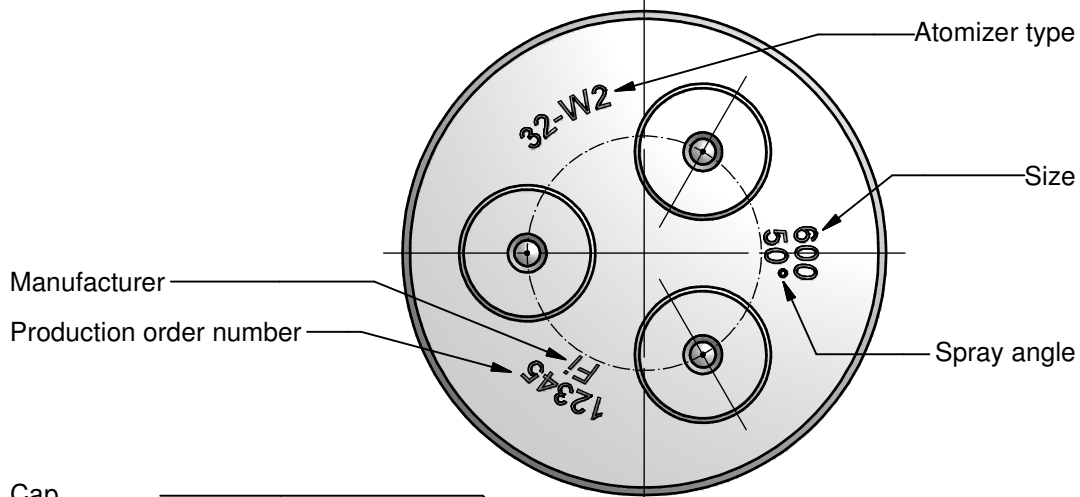




Triplet atomizer  
32-W2-"Size"-50°

32-E1GM-4G-E

18-01-10



Size [kg/h]
60
75
96
120
150
180
210
240
270
300
345
390
435
480
540
600
675
750
825
900
990
1080
1200
1350
1500
1650
1800
1950
2100
2250

Cap  
w.st.nr.: 1.4122

Orifice  
Type E  
w.st.nr.: 1.2510  
Tempered 63 Rc

Swirler  
Type N  
w.st.nr.: 1.2510  
Tempered 63 Rc

Self locking nut  
w.st.nr.: 1.0715  
Zn 6 µm

Circlip  
w.st.nr.: 1.4310

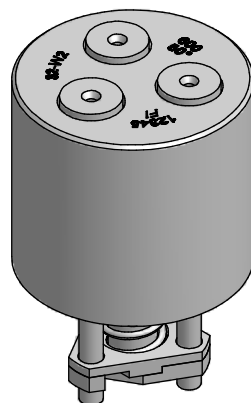
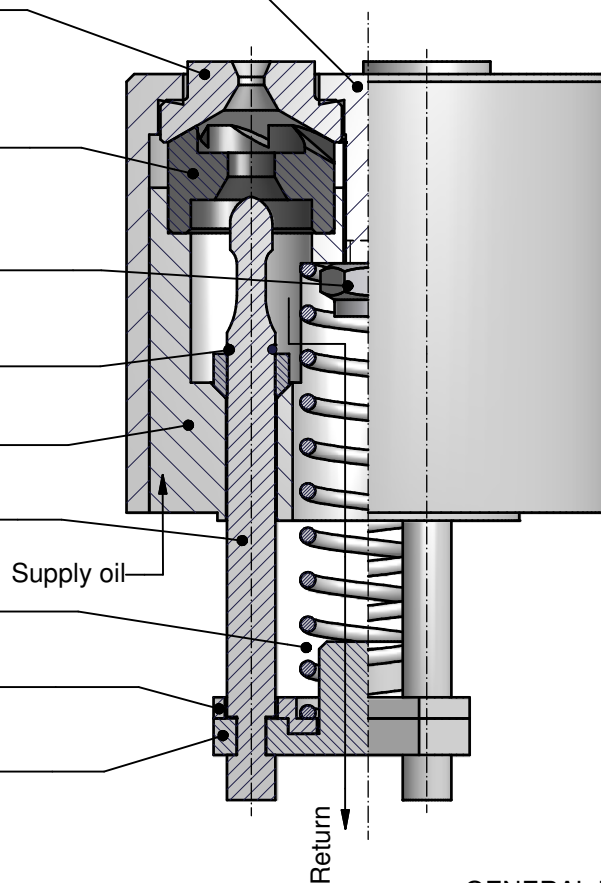
Support  
w.st.nr.: 1.4122

Needle  
w.st.nr.: 1.2767  
Tempered 52 Rc

Spring  
w.st.nr.: 1707s

Fix plate  
w.st.nr.: 1.4122

Needle holder  
w.st.nr.: 1.4122



GENERAL DATA:

Test oil viscosity: 5 cSt.  
Supply pressure: 25 Bar.

Max. output with closed returnline.

Turn down 1:4 up to 300 at 10 bar return pressure,  
over 300 at 8 bar return pressure.

Max. output up to 240 0% +10%  
up to 540 0% +7%  
over 540 0% +5%

Spray angle: Max. output 50°+5°  
Turned down 68°+10°

ORDERING please specify:

- Atomizer type
- Size
- Spray angle
- Quantity