



**Adaptor 32-R**

W.st.nr.: 1.0715  
Chemical black

**Adaptor 32-R-304**

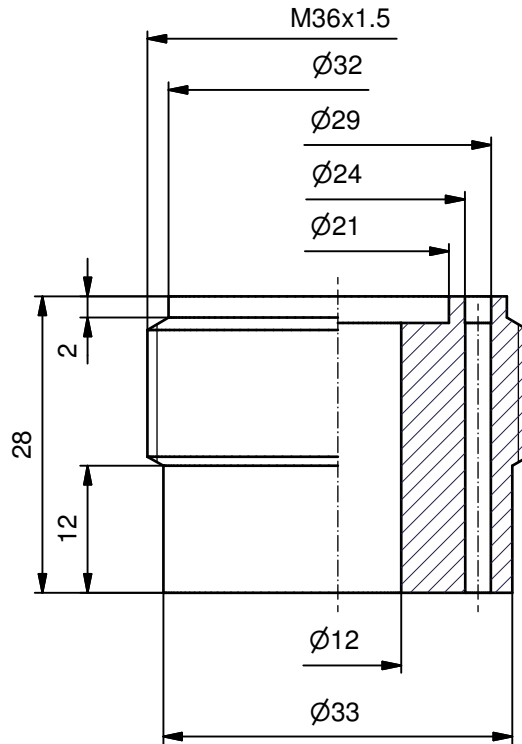
W.st.nr.: 1.4301

**Adaptor 32-R-316L**

W.st.nr.: 1.4404

**Adaptor 32-RH**

W.st.nr.: 1.4841



(1:1)

**Adaptor 32-N**

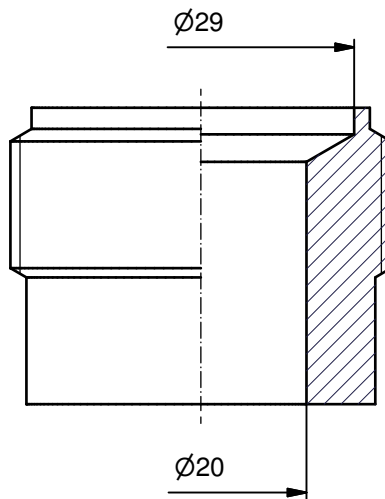
W.st.nr.: 1.0715  
Chemical black

**Adaptor 32-N-304**

W.st.nr.: 1.4301

**Adaptor 32-N-14122**

W.st.nr.: 1.4122



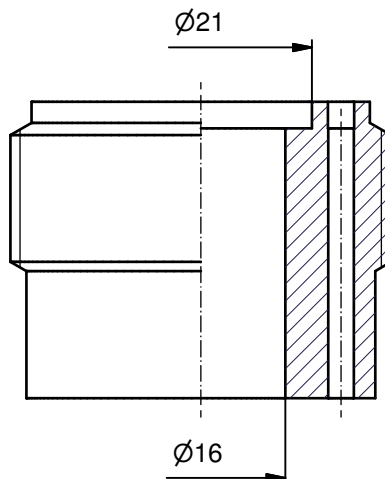
(1:1)

**Adaptor 32-T**

W.st.nr.: 1.0715  
Chemical black

**Adaptor 32-T-304**

W.st.nr.: 1.4301



(1:1)