



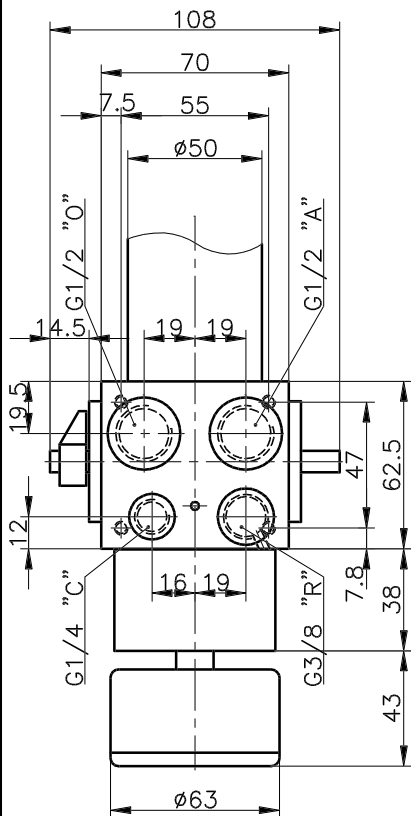
Capnut
 Needle
 Adaptor
 By-Pass Guide

Triangle
 only for lances
 from 800 mm.

"L"

Rod
 Stop
 Spring

M5x12/15 (4x)



O-ring 6,02x2,62
 O-ring 18,72x2,62
 O-ring 18,72x2,62
 O-ring 6,02x2,62
 O-ring 33,00x2,62
 O-ring 25,12x1,78
 O-ring 2,57x1,78

Pointer
 Regulator "D"
 Sleeve
 Connection block
 Flange
 Spring disc
 Disc
 Between disc
 Air disc
 Bearing
 Piston
 Cover
 O-ring 20,35x1,78
 O-ring 7,66x1,78
 30
 70
 36
 4
 30
 A-A
 H
 +
 8h7