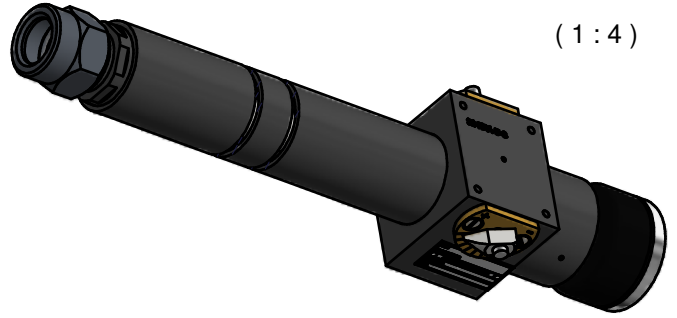




(1 : 4)



- Capnut
w.st.nr.: 1.0715
- Needle
w.st.nr.: 1.2210
- Adaptor
w.st.nr.: 1.4122
- Holder
w.st.nr.: 1.2210

- Triangle
w.st.nr.: 1.0715
only for lances
from 800mm

- Rod
w.st.nr.: 1.2210
- Stop
w.st.nr.: 1.2210
- Spring
w.st.nr.: 1.4568

- O-Ring 6,02x2,62
viton
- O-Ring 18,72x2,62
viton
- O-Ring 18,72x2,62
viton
- O-Ring 6,02x2,62
viton
- O-Ring 2,57x1,78
viton
- O-Ring 33,00x2,62
viton
- O-Ring 25,12x1,78
viton

- Spring disc
w.st.nr.: 1.0715
- Disc
w.st.nr.: 2.0401
- Between disc
w.st.nr.: 2.0401
- Air disc
w.st.nr.: 2.0401
- Bearing
w.st.nr.: 1.4122
- Piston
w.st.nr.: 2.109004
- Cover
w.st.nr.: 1.0715

- O-Ring 17,17x1,78
viton
- O-Ring 7,66x1,78
viton

- Connection block
w.st.nr.: 1.0161
- Flange
w.st.nr.: 2.0401

- Pointer
w.st.nr.: 1.0715
- Regulator "D"
w.st.nr.: 1.2210
- Sleeve
w.st.nr.: 2.109004

