

40-Y-....
w.st.nr: 1.4122
Tempered 42 HRc

40-Y304-....
w.st.nr: 1.4301

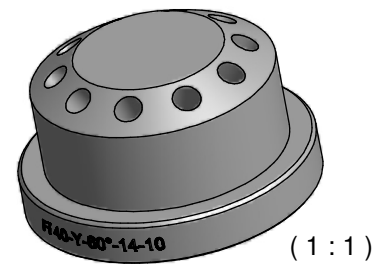
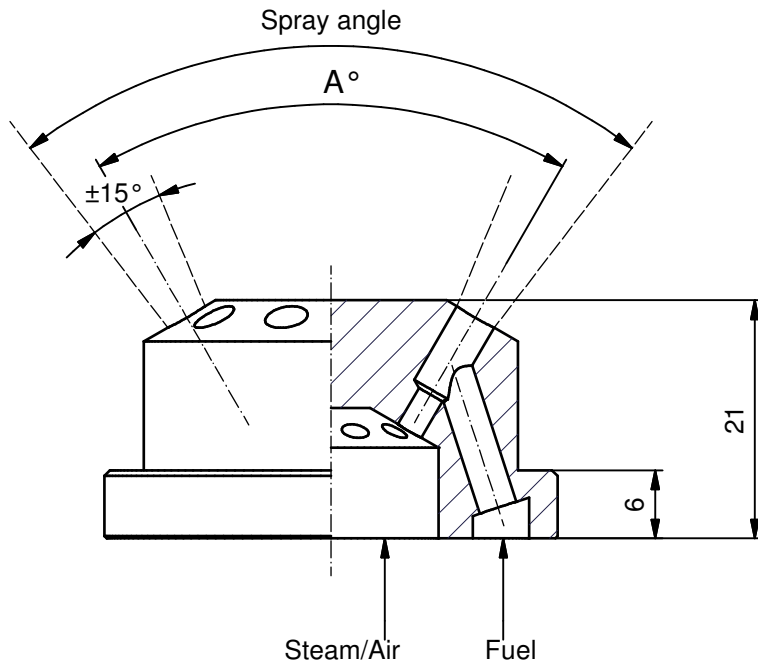
40-316L-....
w.st.nr: 1.4404

40-Y321-....
w.st.nr: 1.4541

40-YH-....
w.st.nr: 1.4841

Size	n	d	Size	n	d
0	10	1.0	0	12	1.0
1	10	1.1	1	12	1.1
2	10	1.2	2	12	1.2
3	10	1.3	3	12	1.3
4	10	1.4	4	12	1.4
5	10	1.5	5	12	1.5
6	10	1.6	6	12	1.6
7	10	1.7	7	12	1.7
8	10	1.8	8	12	1.8
9	10	1.9	9	12	1.9
10	10	2.0	10	12	2.0
11	10	2.1	11	12	2.1
12	10	2.2	12	12	2.2
13	10	2.3	13	12	2.3
14	10	2.4	14	12	2.4
15	10	2.5	15	12	2.5
16	10	2.6	16	12	2.6
18	10	2.8	18	12	2.8

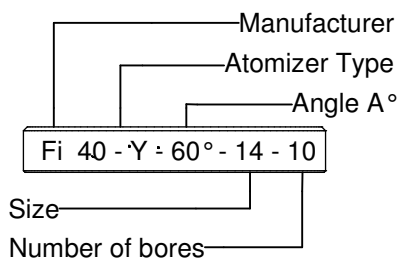
Remark for pre-filtering
d = smallest diameter



ORDERING please specify:

- Atomizer type
- Angle A°
- Size
- Number of bores
- Quantity

MARKING:



GENERAL DATA:

Angle A° from 20° upto 100°
available in steps of 5°
Max. viscosity: 40 cSt.