

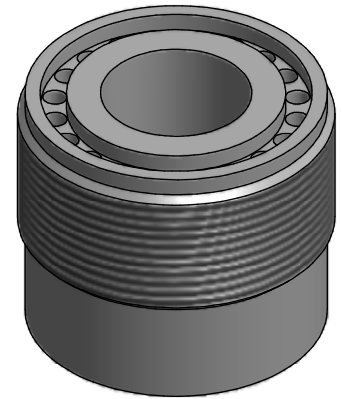
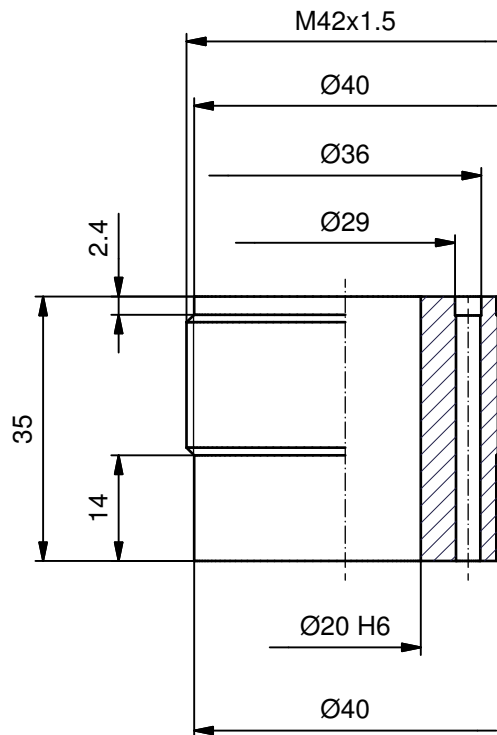


**Adaptor 40-R**

w.st.nr.: 1.0715  
Chemical black

**Adaptor 40-R-304**

w.st.nr.: 1.4301



**Adaptor 40-N**

w.st.nr.: 1.0715  
Chemical black

**Adaptor 40-N-304**

w.st.nr.: 1.4301

