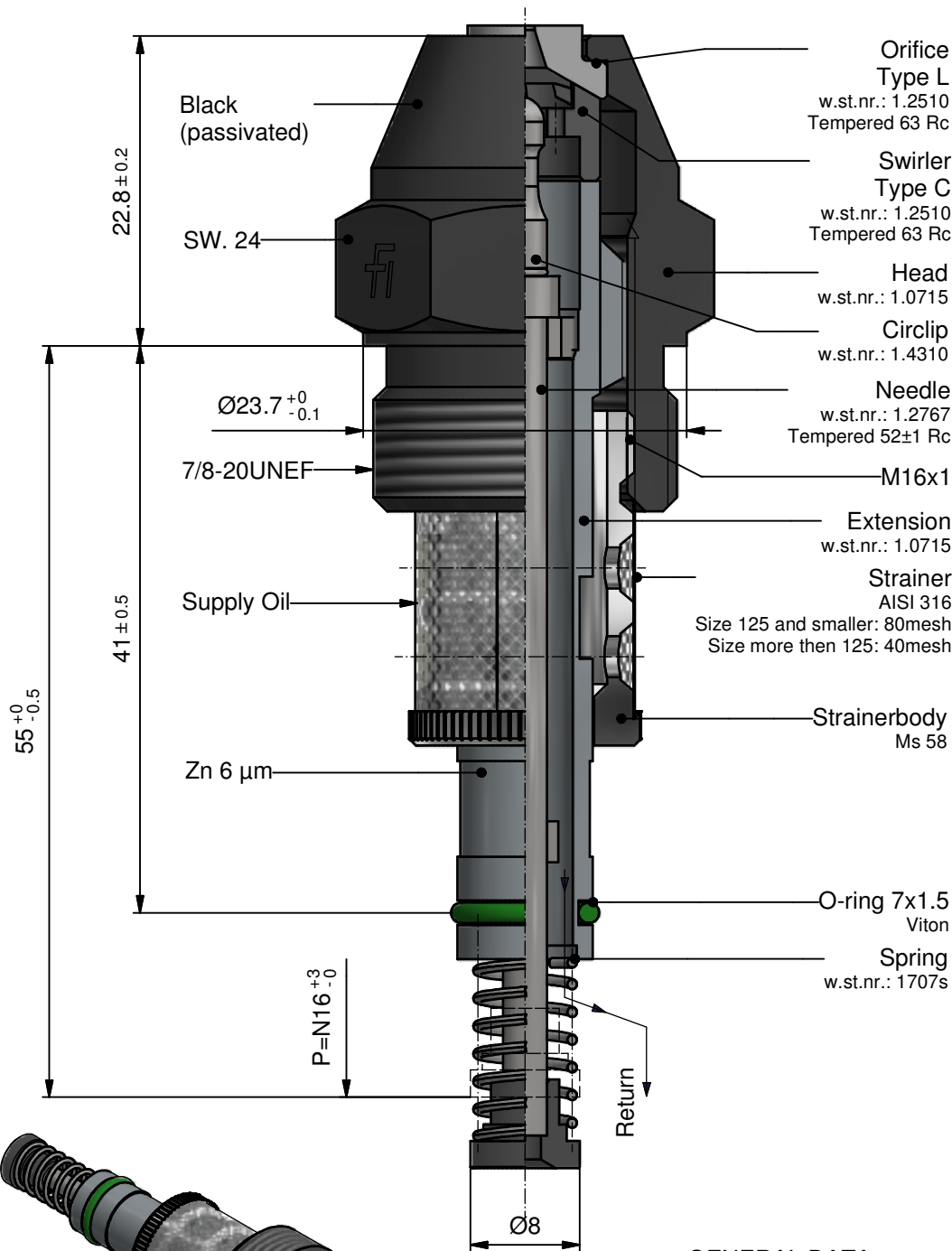




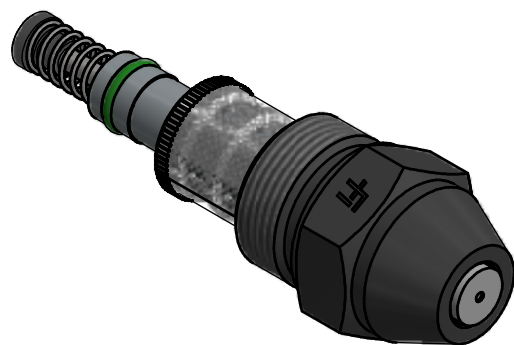
Atomizer 12
W4 - "Size" - 60° - L

12-EDL1-4G-E

16-10-18



Size	[kg/h]
20	
30	
40	
50	
60	
70	
80	
90	
100	
125	
150	
175	
200	
225	
250	
275	
300	
325	
350	
375	
400	
425	
450	
475	
500	



GENERAL DATA:

Test oil viscosity: 5 cSt.

Supply pressure: 25 Bar.

Max. output with closed return line.

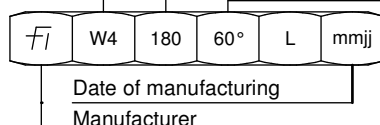
Turn down 1:5 at 3 bar return pressure.

Max. output	up to 80	0% +10%
	up to 180	0% +7%
	over 180	0% +5%

Spray angle: Max. output 60° +5°
Turned down 90° +10°

Marking on Hexagon:

Atomizer type
Size
Spray angle



ORDERING: please specify:

- Atomizer type
- Size
- Spray angle
- Quantity